

YC-280

WALL MOUNT BRACKET

The YC-280 is a wall-mounting bracket specially designed for the master station of the N-8000 series Packet Intercom system. The master station can be installed on a wall or its front operation panel can be inclined from the desk surface by attaching the YC-280.



Order no: YC-280

Specifications

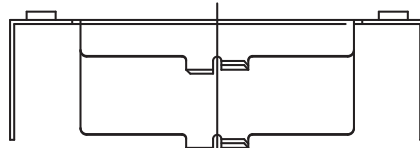
Dimensions (W x H x D)	100 x 140 x 31,8 mm
Dimensions (ø x D)	x 31,8 mm
Finish	Steel plate, surface-treated, paint, grey

YC-280

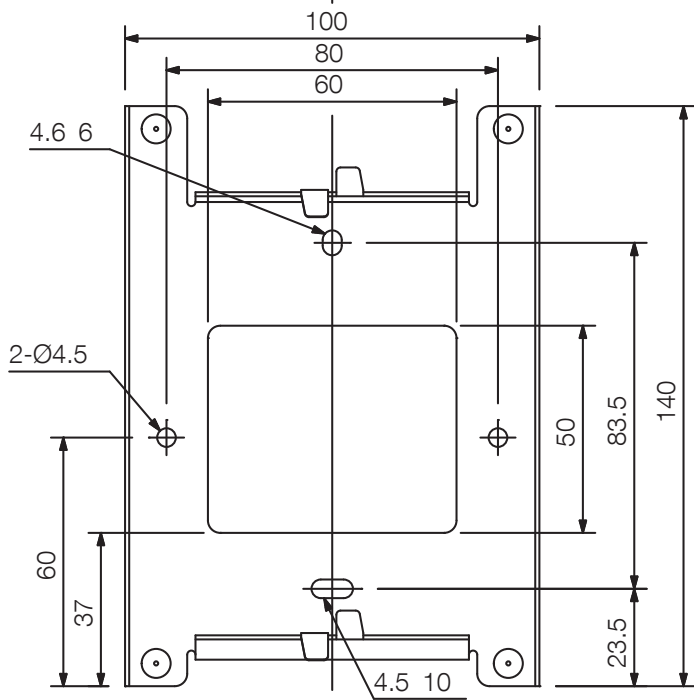
WALL MOUNT BRACKET

Appearance

Top View



Front View



Side View

